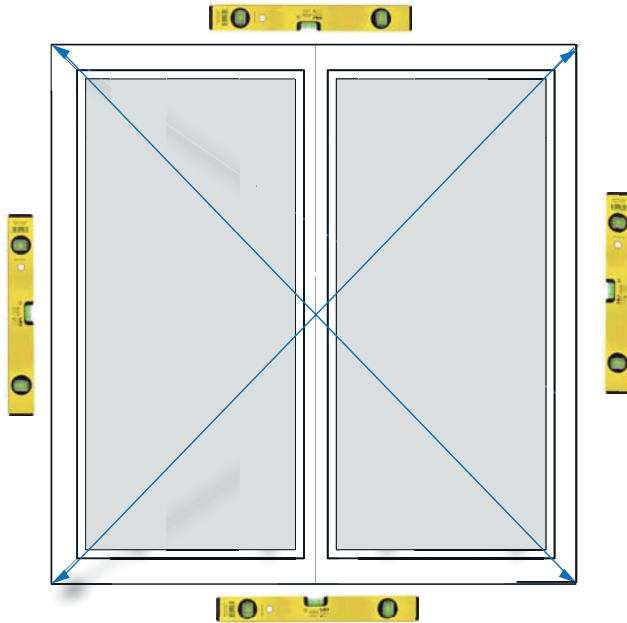


Patio Door Installation Guidelines

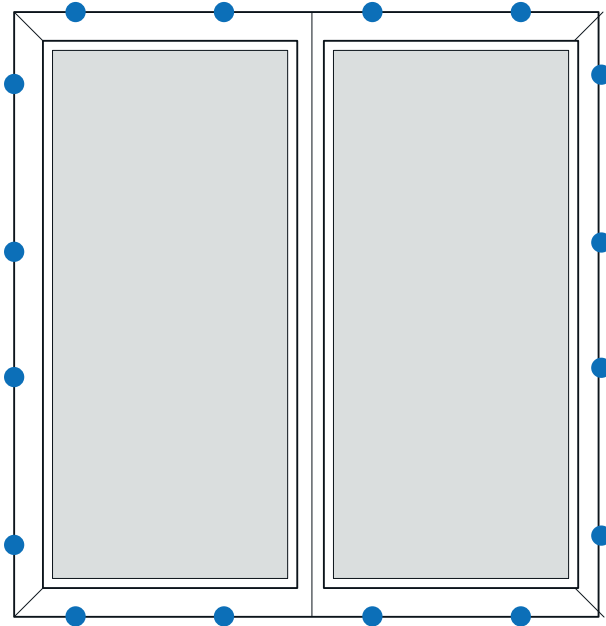


To ensure smooth operation the following guidelines MUST be adhered to:

- a) The head, base and jambs are 100% level.
- b) The frame is 100% plumb.
- c) The frame is square.

Please note:

If the patio door is installed on a construction site, the threshold is to be protected against soiling or other materials.



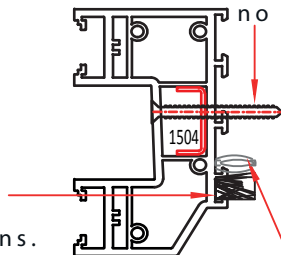
● Fixing point

Perimeter fixing shall be positioned as follows:

- 1 x fixing 150 - 250mm from a corner, both horizontally and vertically.
- 1 x fixing 150 - 250mm at either side of where the vertical members of the sash meets the outer frame.
- Fixings shall occur at NO MORE than 600mm centres.
- Where frames are coupled together, through frame fixing 100mm from each end and centres NOT exceeding 400mm are recommended.

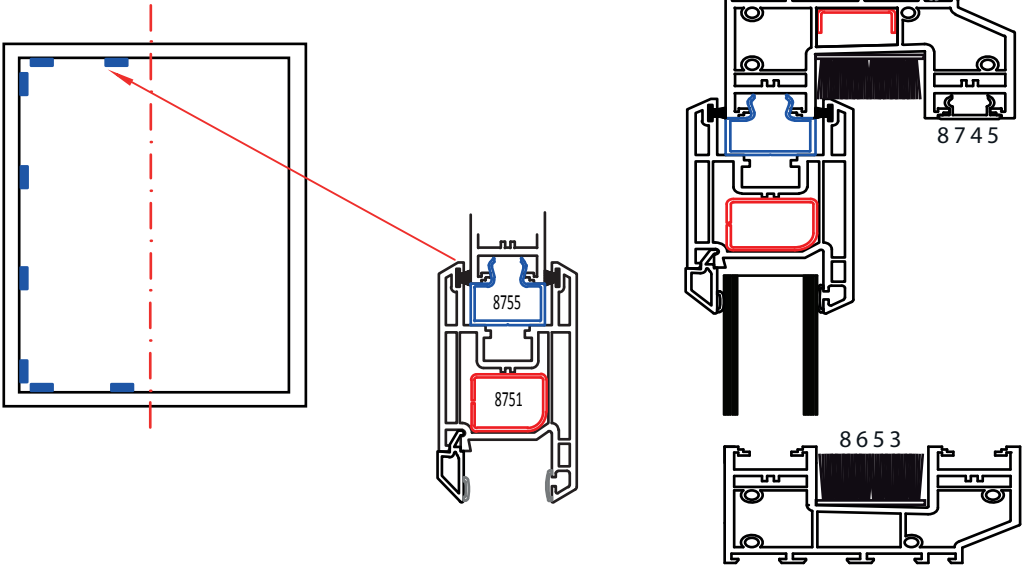
Fixing holes located 200mm from either end and at a maximum of no more than 600mm centres.

Apply fillet of gun grade silicone to perimeter of frame in accordance with manufacturer's instructions.

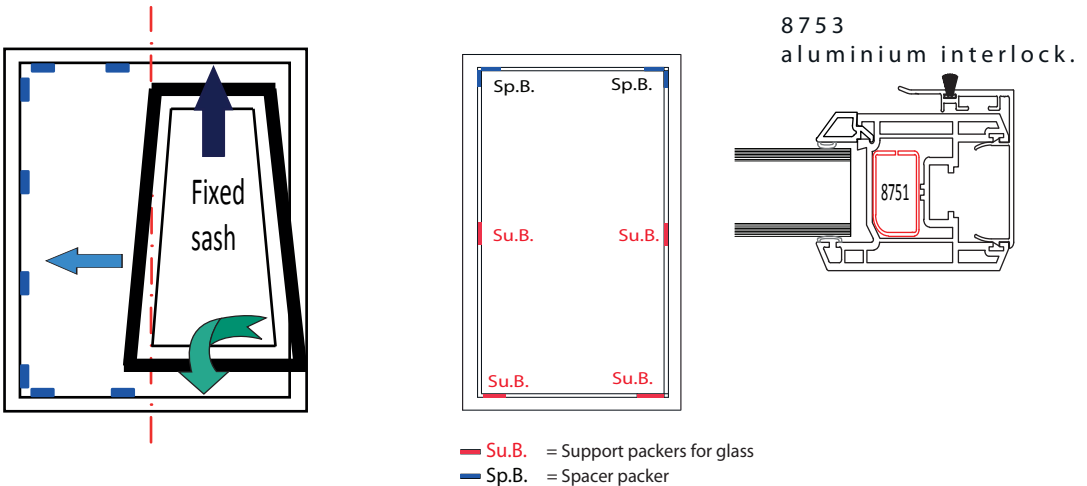


Polyethelene foam filler or similar.

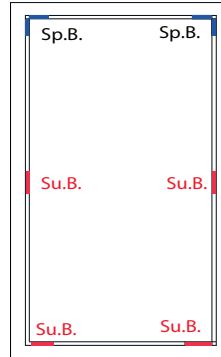
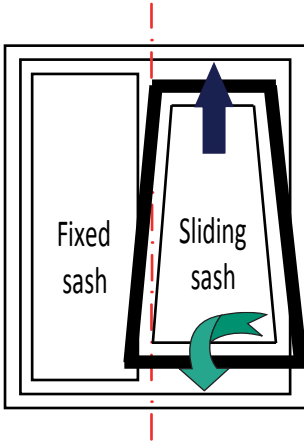
Pencil mark on the frame where the aluminium spacers 8755 are located. Screw fix the spacers. This is where the non-sliding sash will be fixed to the frame. Fit dust plugs 8653 in the top and bottom of the frame, centrally and trim full width with 8745 trim.



Offer the fixed sash to the frame and slide sash over the spacers. Screw fix the sash to the spacers. Glaze fixed sash and fit interlock.

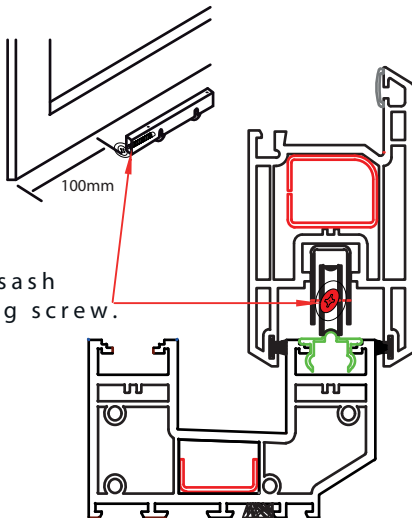


Offer the sliding sash to the frame. Glaze sash. **DO NOT FIT INTERLOCK.**

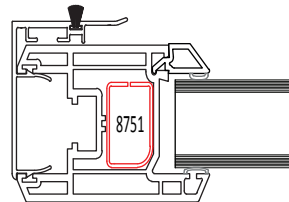


- Su.B. = Support packers for glass
- Sp.B. = Spacer packer

Adjust the wheels up or down to level off sash and obtain correct operation of the locking mechanism. This can be achieved by winding the adjusting screws in or out. Once you are happy with the operation fit the interlock.

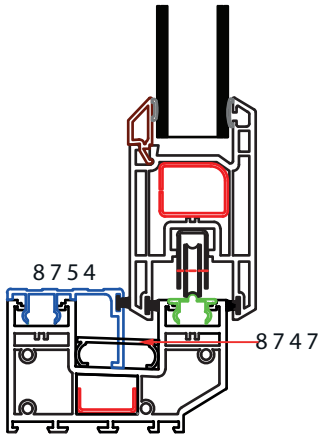


8753
aluminium interlock.

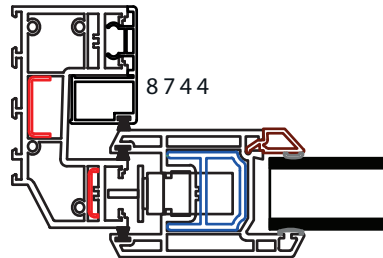


All of the trims can now be fitted.

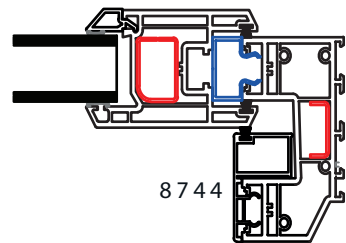
Cill trims, 8754, fit woolpile, and 8747 cut to length from internal edge of frame to fixed sash.



Lock side trim, 8744, cut full height of internal frame rebate and fit woolpile.



Fixed sash trim, 8744, cut full height of internal frame rebate and fit woolpile.



Head trim 8744, cut to length from internal edge of frame to fixed sash interlock and fit woolpile.

